

2.1

IC Card



2.1 | ZG1.6S-1, ZG2.5S-1, ZG4S-1

FUNCTION

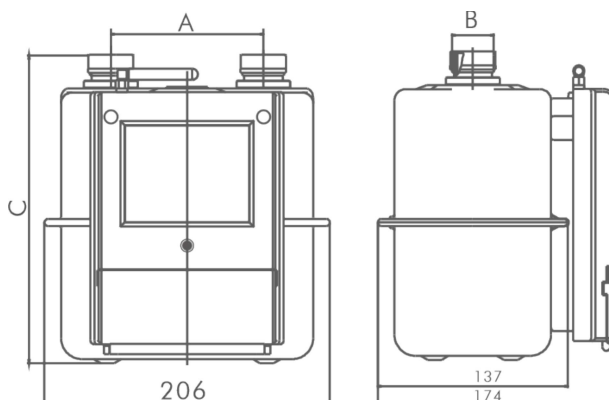
- Supporting remote meter reading
- Measurement accuracy
- Anti-stealing gas

FEATURES



APPEARANCE AND INSTALLATION SIZE

A	90±0.50	110±0.50	130±0.50
B	M30×2-6g	G ³ / ₄ B	WG7/8
C		228	



Units: mm

2.1

IC Card

MAIN TECHNICAL PARAMETERS

Main Index		Specification & Type		
Main index	Specification & type	ZG1.6S-1	ZG2.5S-1	ZG4S-1
Nominal flow-rate (qn)	m ³ /h	1.6	2.5	4
Max. flow-rate (qmax)	m ³ /h	2.5	4	6
Min. flow-rate (qmin)	m ³ /h	0.016	0.025	0.04
Operating pressure range	kPa	0.5~50		
Max. permissible error	qt≤q≤qmax qmin≤q<qt	±1.5% ±3%		
Total pressure loss	Pa	≤250		
Max. reading	m ³	99999.999		
Min. reading	m ³	0.0002		
Cyclic volume	dm ³	1.2		
Working voltage	V	DC6V (4pcs #5 Alkaline battery)		
Battery life		<1 year		
Pulse equivalency		0.1 or 0.01		
Static working current	μA	≤20		
Accuracy class		1.5		
Operating range limit		-20 C ~ +50 C		
Relative humidity		≤ 85%RH		