



# DIRECT ACTING GAS PRESSURE REGULATOR



# ESKA

[www.eskavalve.com](http://www.eskavalve.com)



**ERG-H6**  
**SERIES**

ERG-H6 Series pressure regulator is used on gas line to reduce inlet pressure to desired outlet pressure.

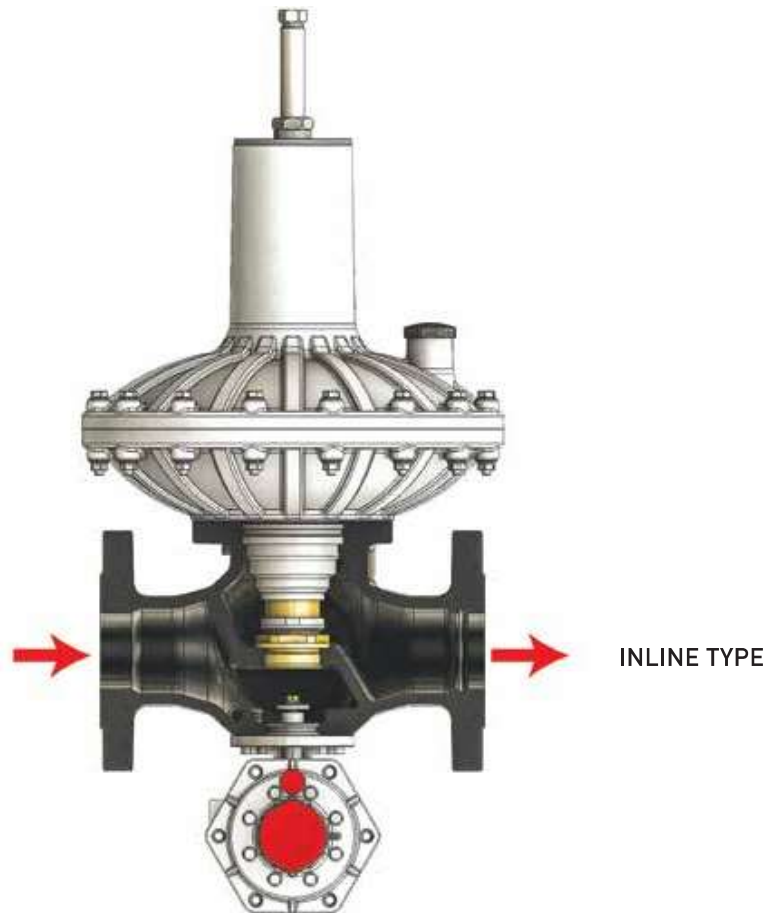
It is mainly used in Distribution of Natural Gas and also suitable to use with non-corrosive gases. ERG-H6 is a single stage direct acting regulator with a optional security systems such as relief valve UPSO and OPSO

Monitor version is also available.

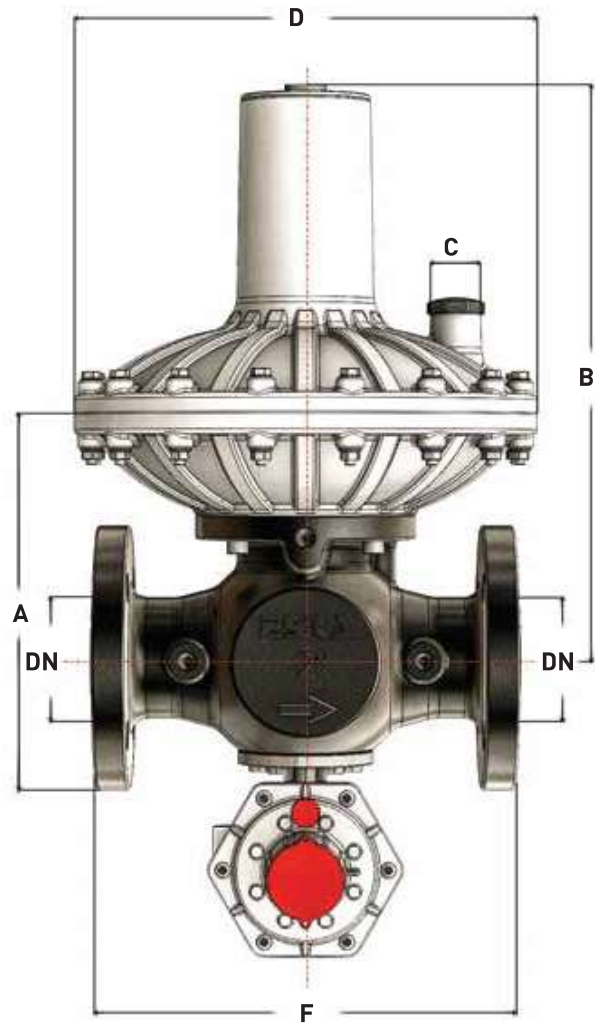
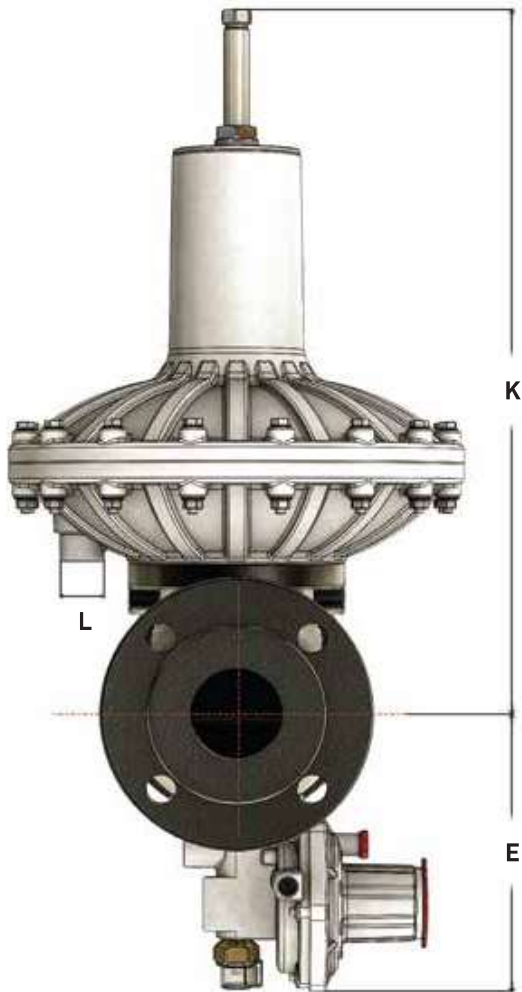
## FEATURES

- For medium and high pressure domestic or industrial second group gas lines.
- Max inlet pressure 0,3 to 20 bar.
- Max outlet pressure 15-4500 mbar.
- Outlet pressure tolerance is  $\pm 5-10$  (AC5 & AC10)
- Lock up pressure tolerance is max  $+10$  (SG30 and SG20 is possible also)
- Can be integrated with Relief valve & UPSO & OPSO
- Temperature class as a standard -20 to +60 Celcius Degree. Low temperature series has ability to work under as low as -40 Celcius Degree.
- Flow direction inline type.

## CONFIGURATIONS



**DIMENSIONS**



DN	A	B	C	D	E	F	K	L
25	227	345	G 1/2"	280	175	183	430	G 1/4"
32	227	345	G 1/2"	280	175	183	430	G 1/2"
40	227	345	G 1/2"	280	175	223	430	G 1/2"
50	227	345	G 1/2"	280	175	255	430	G 1/2"